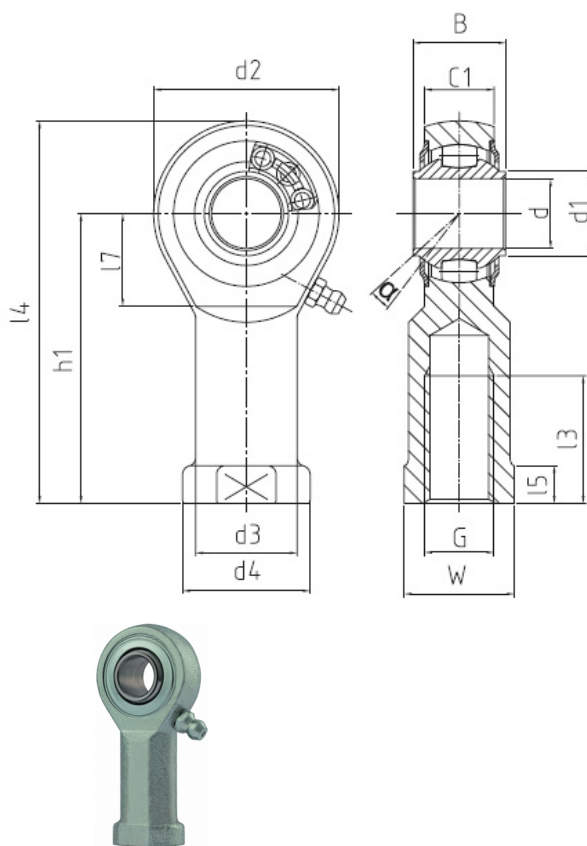


## BRTF 12 - 00 - 501

### Dimensional drawing



right hand thread	BRTF 12 - 00 - 501
d (mm)	12
G	M 12
d2 (mm)	32
l4 (mm)	66
B (mm)	16
C1 (mm)	12
d1 (mm)	14.6
d3 (mm)	17.5
d4 (mm)	22
h1 (mm)	50
l3 (mm)	22
l5 (mm)	6.5
l7 (mm)	16
W (mm)	19
tilt angle alpha (°)	7.5
basic load rating dyn C (kN)	10.3
basic load rating stat Co (kN)	6.6
radial clearance CN (µm)	10 - 30
rotational speed limit n max. (min-1)	1125
weight (kg)	0.109

## Product description

**DURBAL heavy-duty rod ends with integral self-aligning roller bearing, series K, female thread, according to DIN ISO 12240-4 and DIN ISO 8139, cage design**

**Right hand thread: BRTF\_-00-501 and left hand thread: BRTF\_-00-502**

- **Housing:** forged steel, case hardened bearing race, superfinished, surface galvanized, free of Cr VI
  - **Inner ring:** ball bearing steel, hardened, superfinished
  - **Rolling element:** ball bearing steel, hardened, superfinished
  
  - **Maintenance:** low maintenance, lubrication possible, aluminium-complex-soap-grease, approval according to USDA H1
  - **Grease nipple:** DIN 3405 D1/A (until size 10) / DIN 71 412 H1 (from size 12), further grease nipples [see on this page](#)
  - **Tolerances:** [see on this page](#)
  - **Highlights:** [see on this page](#)
  - **Temperature range:** -45° C to +120° C
- 

### Special characteristics:

- For **high speeds**, wide swivelling angles or **rotating movements**,
- **High loads**,
- All **rod end housings** are made of **forged steel, tempered, extremely high loads resistant** and protected against corrosion by galvanisation.
- **Low maintenance** due to **long-term lubrication** with food-grade approval; the **rod ends** can be greased subsequently by means of a funnel or **conical grease nipple**. Further special grease nipples available on request;
- **Covering discs** on both sides to prevent the penetration of coarse dirt particles inside the bearing.
- **Connection dimensions** in accordance with DIN ISO 8139 for pneumatic cylinders.

Available as a complete **linkage** (system) solution or separately with threaded links and hexagonal locking nuts. For shaft diameters from 10 mm to 40 mm.